

LOADING DOCK EQUIPMENT



Kelley® India is a wholly owned subsidiary of 4Front Engineered Solutions, Dallas, Tx, USA (Part of USD 9.0 Billion ASSA ABLOY Group). Kelley® India engineers are trained at the US Headquarters and they use their expertise to help make work places safer, more productive and increase energy saving for customers in variety of applications. Its pan India network ensures seamless and prompt after-saleAs support.

Kelley® drew the blueprint for the loading dock industry with the invention of the first Counter-Balanced Dock Leveler in 1953 in the USA. Through passion for engineering, Kelley® evolved to produce a comprehensive portfolio of solutions, which include a line of Air-Powered, Hydraulic and Mechanical Dock Levelers, HVLS Fans, vehicle restraints, integrated control systems, ergonomic lift tables, energy-saving dock seals and shelters, which are manufactured in seven state-of-the-art facilities globally.

Kelley® and Serco® Dock Levelers enable the safe and efficient transfer of material / goods by bridging the gap between the loading dock and the trailers in inbound and outbound areas of a manufacturing or warehousing facility.

Dock Levelers

Kelley® offers a complete line of Air-Powered, Hydraulic and Mechanical dock levelers. All our dock levelers are designed to satisfy the key performance parameters; viz., Safety, Reliability, Productivity, Operational Ease and Low Life Cycle cost making it the first choice in the market place. The Kelley® and Serco® platforms are robotically welded for uniform production, repeatability and maximum performance. The platform sizes are available from 6 feet to 10 feet and the capacities ranging from 25,000 to 80,000 pounds.

Air-Powered Dock Levelers

AIRBAG LIFTING TECHNOLOGY was developed in the 1940's, before hydraulics, as the safety industry commercialized it to raise and stabilize derailed train cars, overturned tractor - trailers - even collapsed bridges. It took Kelley's innovation to bring this same dependable, economical lifting technology to dock levelers, eventually making **the Air-Powered Dock levelers the most popular model in the market!**



*The design may vary according to model specifications

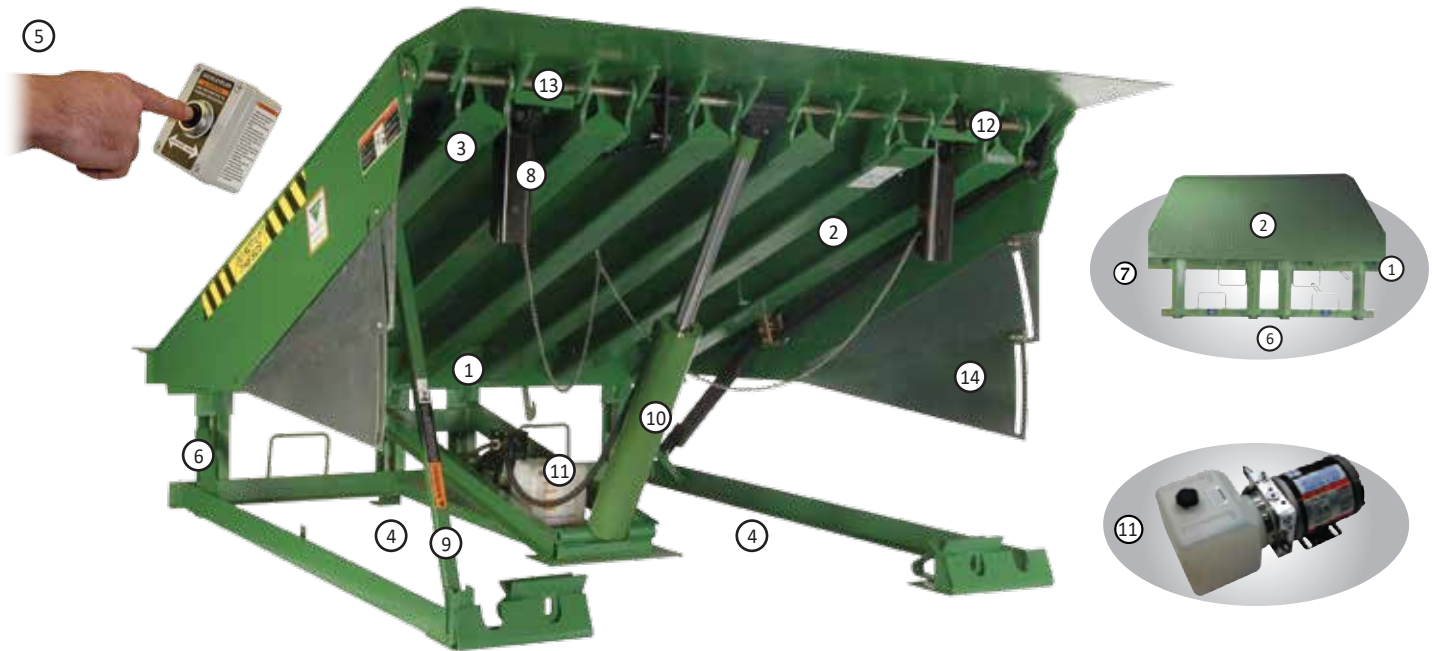
The Kelley® and Serco® Air-Powered Dock Leveler is an ideal economical solution for applications needing only the basic air-powered Dock Leveler performance benefits. It incorporates single push- button control with the standard, Gravity-Lip, high-volume, low-pressure air activation system.

More than
2,00,000 units supplied
world wide as yet

- **Durable, Reinforced Composite Lifting Bag** - Lifting bag with RF welded, reinforced polyvinylchloride coated polyester fibers operates without loss of performance in temperatures from -65°F to +200°F, even if punctured. The airbag cannot be over-inflated (maximum motor pressure is 4PSI), and has been tested for chemical immersion and rodent damage.
- **Smooth, Reliable Gravity Lip Extension** - This simple mechanism uses deck weight and gravity to automatically extend the aFX dock leveler lip. No manual flip-lip, no hydraulic assist and no adjustment are required. Tested to over 1,00,000 cycles.
- **Horizontally Mounted Fan Motor Assembly** - Located and protected safely under the airbag, the low pressure fan features a self-cleaning, filtered, UL approved, single speed motor. The fan motor runs on simple 220V, single-phase electricity, without hoses or clamps. Simple design to reduce service needs.



Hydraulic Dock Levelers



Salient Features :

- ① **Robotically Welded Structure -**
Uniform production and repeatability
- ② **Single plate dock platform (without Joint)-**
Life long operation (Best in class)
- ③ **Lambda beam design and construction-**
Life long operation (best in class)
- ④ **Unique Kelley® open frame design-**
Easy to clean resulting in longer life to components
- ⑤ **Single Push button control-**
Easy operation and eliminates any potential accident
- ⑥ **Patented SafeTFrame™-**
Superior structural support and level interface with floor
- ⑦ **Fixed Consealed rear hinges- no pinch points-**
Long hinges life and no damage to MH tyres
- ⑧ **Automatic retracting 60,000 lb. (27,216 kg) structural steel dock level support legs-**
Full unrestricted working range
- ⑨ **Integral support strut keeps ramp raised-**
Easy and Safe maintenance and cleaning
- ⑩ **4\" Diameter Hydraulic cylinder with velocity fuse mounted at front of ramp-**
Best in class strength, efficiency and safety
- ⑪ **Totally enclosed, non-ventilated, unitized hydraulic pump and motor assembly with single hose per cylinder-**
Longer life and lower maintenance cost
- ⑫ **Integral lip lock keeps lip raised-**
For routine maintenance and cleaning
- ⑬ **Self- cleaning lug style lip hinge-**
Superior strength and life long trouble free operation
- ⑭ **Full operating range toeguard-**
Improves safety while working
- ⑮ **Energy Guard-**
This is a perimeter seal, which is very effective in preventing the energy loss and also blocks dust entry into the facility (optional)



Edge-Of-Dock (EOD)

The Kelley® and Serco® EOD is a platform mounted to the edge of a building wall to assist loading/unloading of trailers in a limited working range, but a very efficient and affordable product.



- Reliable Dual Extension Spring Lifting Mechanism
- Exclusive EZ-Lift™ Spring Assist on Lip Hinge reduces lifting force
- Operating Range is 5" (127 mm) above to 5" (127 mm) below dock
- Beveled Lip Edge (11 degrees) provides smooth interface with trailers
- 15" (381 mm) Lip Standard (Optional 17" (432 mm) lip available for refrigerated trailers)
- Laminated Bumpers mounted to steel bumper blocks
- Available Length 27" and Width 66", 72", 78" and 84". Capacity 20,000 and 30,000 lbs.
- Available in Mechanical, Air-Powered and Hydraulic options

Mechanical Dock Levelers

Kelley® and Serco® Mechanical Dock Leveler is designed for exceptional performance and endurance due to its premium features such as SafeTFrame™, unlimited float hold-down and a hydra cam lip assembly.



Requires only 10 lbs. of lifting force to release leveler



Heavy-Duty Dock Bumpers



Horizontal Bumper Size :
4" Thick x 14" Width x 10" Height

Vertical Bumper Size :
4" Thick x 14" Width x 20" Height

The Kelley® Heavy-Duty Dock Bumpers are the most durable and ensure the facility wall does not get damaged by the reversing vehicle.

Sectional Dock Doors

A broad range of specialty sectional and impactable TKO® doors to reduce door maintenance costs and minimize energy loss at the loading dock.

- Impactable design prevents panel and track damage from fork lift and plungers allow door to release from the opening upon impact.
- 12-gauge galvanized steel track and hinges available with 3 and 6 feet of full height Impact-A-Track™.
- Designed to optimize energy efficiency, 2 or 4 inch thick closed cell XEPS foam panel for superior thermal protection.
- Tight perimeter weatherseal eliminates air infiltration and light gaps.
- Slide locks increase security.



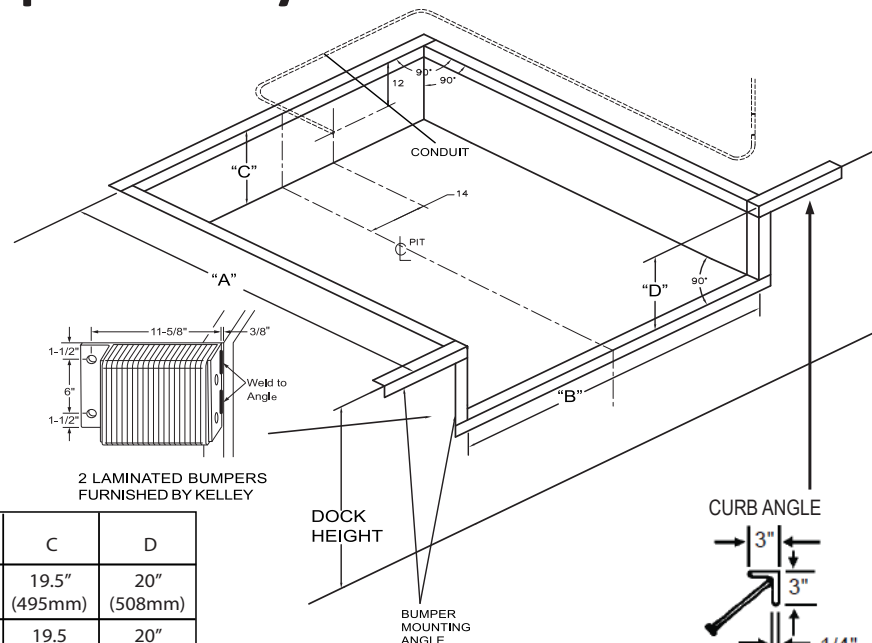
Dock Shelters & Seals

Kelley® manufactures a variety of durable dock shelters and compression style dock seals to keep moisture, dirt and debris off the loading dock area providing for a safe, clean and energy efficient work environment. Key features:

- Ultra-durable TufSteel® with galvanized steel framing for unmatched product life span.
- Durable, industrial grade vinyl material for longer life.
- Unique features such as fiberglass stays, overlapping wear pleats and wind straps provide greater flexibility and a positive seal for improved dock safety and energy efficiency.
- Foam bottom draft pads reduce energy loss around the dock leveler.



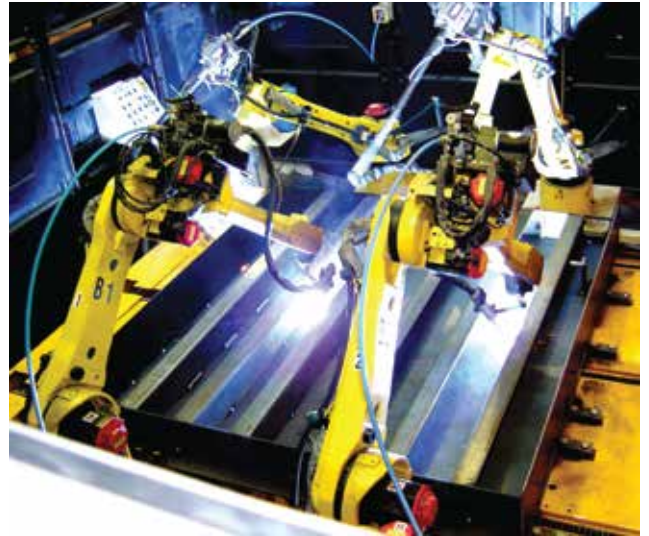
Call Kelley® Expert Today



Dock Leveler Model (WxL)	A	B	C	D
6x8 Feet (1829x2438 mm)	87" (2210mm)	74" (1880mm)	19.5" (495mm)	20" (508mm)
7x8 Feet (2134x2438 mm)	87" (2210mm)	85" (2160mm)	19.5" (495mm)	20" (508mm)

Kelley® and Serco® : A History of Innovation

Product innovation and repeatable manufacturing are just some of the core competencies that have made the Kelley® and the Serco® brands, the industry standard for quality and durable loading dock equipment and HVLS Fans. Made possible through our significant investment in manufacturing technology, Kelley® has become a leader by not only introducing many industry firsts but by utilizing our capability to design, engineer and manufacture the highest quality products consistently.



Our products are installed in locations on nearly every continent in the world. Today, this product offering extends well beyond dock levelers and dock doors to include yard and dock management systems, a full line of energy saving products and HVLS Fans to support a growing global need to move air more efficiently.

“Our products are designed and manufactured to enhance key operational requirements and parameters that are becoming more and more prevalent in the Indian marketplace.”



Engineer during installation at site



Kelley Material Handling Equipment India Pvt Ltd.

(100% wholly owned subsidiary of 4Front Engineered Solutions, Inc., Dallas, Texas, USA)



506, SSR CORPORATE PARK,
13 / 6, Delhi Mathura Road,
NH-2, Sector – 27 B,
Faridabad – 121003,
Haryana, INDIA.
L: +91 129 2250300



www.KelleyIndia.com

support@kelleyindia.com

North : CM Suhag +91 9899118241

East : Kishanu Banerjee +91 9899118243

West : Bhushan Rewatkar +91 9899118242

South : Arun Hagaragi +91 9899118244

Product Support : Govind Patil +91 9899118239